

# ANT-26



## ANT26

The Antuator range is TecHome's slimmest and attractive set of actuators. The ANT26 is a 26mm in diameter actuator, perfect for hatches and windows that require up to 100kg pushing power.

### General Features

Voltage of motor	12V DC, 24V DC
Diameter	26mm
Maximum load	50kg in push
Maximum load	50kg in pull
Maximum speed	15.0mm/s
Max Stroke Length	200mm

**CALL US NOW ON:  
+61 (0)7 3297 9797**



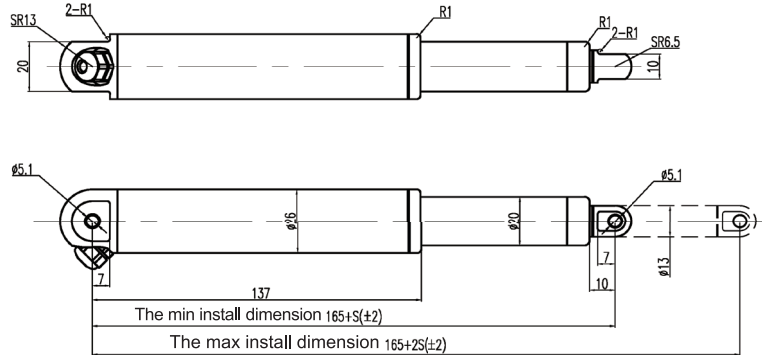
**MOTION AND AUTOMATION**

P: +61 (0)7 3297 9797

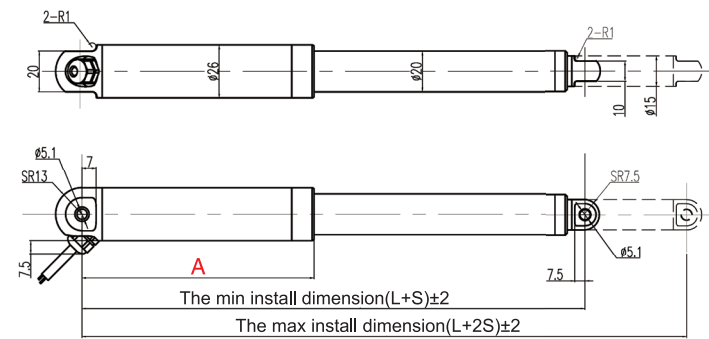
E: [info@techome.com.au](mailto:info@techome.com.au) W: [www.techome.com.au](http://www.techome.com.au)

# DATA SHEET 1

## ANT-26 Dimensional Drawing (mm)



Dimensions With Limit Switch



Standard Dimensions

<b>Voltage(V)</b>	12 24	<b>No-load current(A)</b>	≤0.4 ≤0.2	<b>Load current(A)</b>	≤1.3 ≤0.7
<b>Max. Power(W)</b>	30	<b>Material of outer tube</b>	6063 Aluminium	<b>Material of lead screw</b>	Trapezoid, Steel
<b>Material of piston rod</b>	316 stainless steel	<b>Material of the nut</b>	Plastic	<b>Working duty(S2)</b>	Work 2 minutes and rest 18 minutes
<b>Life time(cycles)</b>	10k	<b>Protection Class</b>	IP66	<b>Noise on load (dB)</b>	65
<b>Operating temperature(°C)</b>	-20~60	<b>Storage temperature(°C)</b>	-40~70	<b>Certification</b>	CE
<b>Backlash (mm)</b>	0.4	<b>Colour</b>	Black	<b>Wire length(m)</b>	1.5
<b>Wire connection</b>	Bare wire 4 pins connector 6 pins connector	<b>End mounting</b>	O type		

ANT-26 Min. Install dimension [mm]		Standard	Hall sensor	Over current protection	Limit switch
	L+S	150+S	170+S	170+S	165+S
	A	115	135	135	137

# DATA SHEET 2

## ANT-26 Technical data

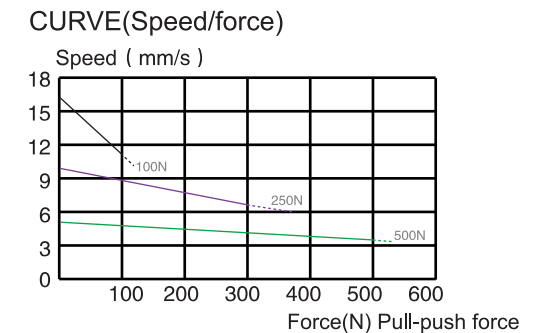
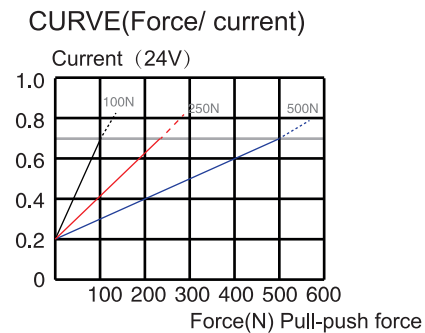
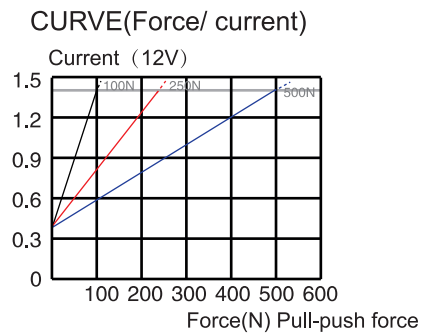
Max load(N)	100	250	500
Self-locking force(N)	150	375	750
No-load speed(mm/s)	15	8.5	5
Load speed(mm/s)	11	6	3.5

	Standard stroke				Special stroke
Stroke(mm)	50	100	150	200	Customized
Weight (kg)	0.35	0.4	0.45	0.5	

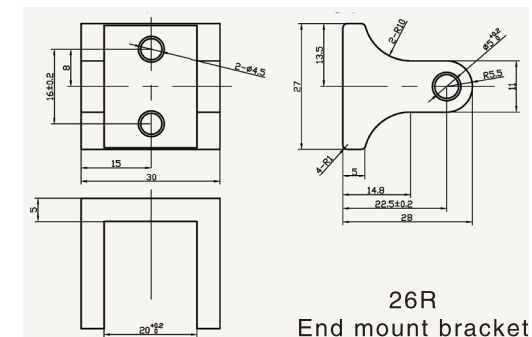
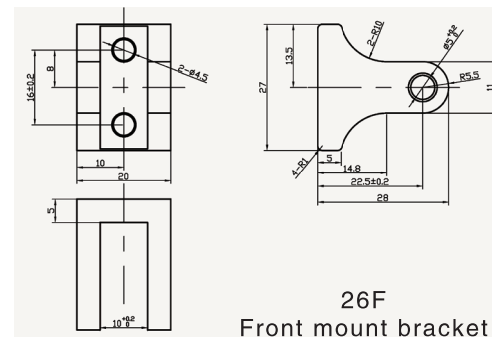
The min stroke:10mm  
The max stroke:200mm  
Precision:±2 mm

## ANT-26 CURVE

Accuracy of speed or current :  
±10%, in general, applications  
in the dashed are not recommended.



## ANT-26 Mounting Bracket



# ORDER KEY



① ANT - ② □ □ - ③ □ - ④ □ - ⑤ □ □ - ⑥ □ □ □ □ - ⑦ □ □ - ⑧ □ □ □ / ⑨ □ □ □ - ⑩ □ - ⑪ □ - ⑫ □

- ① **Brand**: ANT=ANTUATOR
- ② **Diameter**: 16=16mm; 26=26mm; 35=35mm; 38=38mm; 45=45mm; 52=52mm
- ③ **Out tube material**: S=powder coated steel; AL=aluminum; S/S=stainless steel
- ④ **Options**: L=low noise, N=Normal
- ⑤ **Input voltage**: 12=12VDC; 24=24VDC
- ⑥ **Max Load**: XXXX=N (See Data Sheet 2)
- ⑦ **Load speed**: XX=mm/s (See Data Sheet 2)
- ⑧ **Stroke**: XXXmm (See Data Sheet 2)
- ⑨ **Min. Install dimension**: XXXmm (See Data Sheet 1)
- ⑩ **Color**: B=Black; S=Silver; C=Customized
- ⑪ **Optional functions**: C=over current protection; H=hall sensor; LS=limit switch; N=none
- ⑫ **Protection Class**: W=IP67M, N=IP66

Send this order form to [info@techome.com.au](mailto:info@techome.com.au) or call us +61 (0)7 3297 9797