

ANT-38

ANT38

The Antuator range is TecHome's slimmest and attractive set of actuators. The ANT38 is a 38mm in diameter actuator, perfect for hatches and windows that require up to 230kg pushing power.



General Features

Voltage of motor	12V DC, 24V DC
Diameter	38mm
Maximum load	230kg in push
Maximum load	230kg in pull
Maximum speed	35.0mm/s
Max Stroke Length	500mm

**CALL US NOW ON:
+61 (0)7 3297 9797**

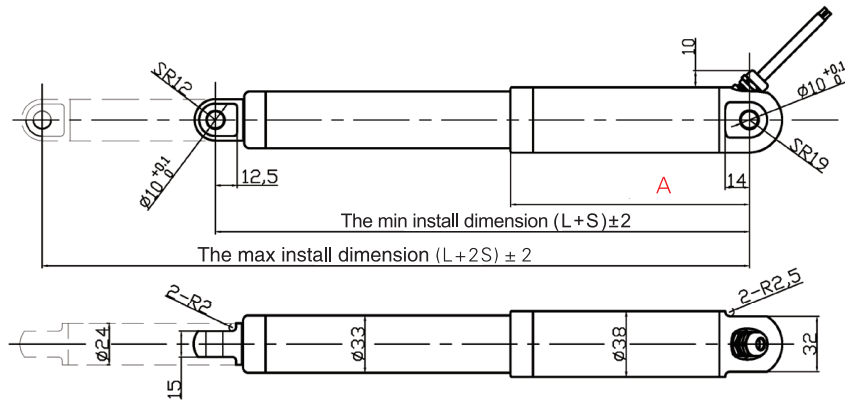


MOTION AND AUTOMATION

P: +61 (0)7 3297 9797

E: info@techome.com.au W: www.techome.com.au

DATA SHEET 1



ANT-38 Dimensional Drawing (mm)

Standard means without any additional function(Over current protection,hall sensor)
The dimensional tolerance not shown in the drawing can refer to ISO2768-mk

Voltage(V)	12 24	No-load current(A)	≤ 0.6 ≤ 0.3	Load current(A)	≤ 3.8 ≤ 1.8
Max. Power(W)	60	Material of outer tube	6063 Aluminium	Material of lead screw	Trapezoid,Steel
Material of piston rod	304 stainless steel	Material of the nut	Plastic	Working duty(S2)	Work 2 minutes and rest 18 minutes
Life time(cycles)	10k	Protection Class	IP66	Noise on load (dB)	60
Operating temperature(°C)	-20~60	Storage temperature(°C)	-40~70	Certification	CE
Backlash (mm)	0.5-1	Colour	Black	Wire length(m)	1.5
Wire connection	Bare wire 4 pins connector 6 pins connector	End mounting	O type		

ANT-38 Over current protection	[mm]	Limit switch		Hall sensor		Over current protection	
		Normal	Low noise	Normal	Low noise	Normal	Low noise
$\leq 800N$	L+S	200+S	210+S	220+S	220+S	220+S	-
	A	128.5	138.5	148.5	148.5	148.5	-
$> 800N$	L+S	210+S	220+S	230+S	230+S	230+S	-
	A	138.5	148.5	158.5	158.5	158.5	-

Noise level 53dB for the low noise version

DATA SHEET 2

ANT-38 Technical data

Max load(N)	100	300	400	600	800	1200	1800	2300
Self-locking force(N)	150	600	600	1600	1600	1800	3600	3450
No-load speed(mm/s)	35	25	18	12	12	6.8	4.5	3.5
Load speed(mm/s)	30	17	14	9	7	4.5	3	2.3

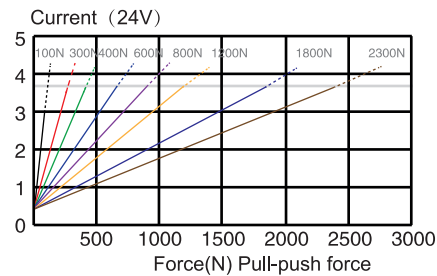
	Standard stroke								Special stroke
Stroke(mm)	50	100	150	200	250	300	350	400	Customized
Weight (kg)	0.85	0.95	1.05	1.15	1.25	1.35	1.45	1.65	

The min stroke:10mm
The max stroke:500mm
Precision:±2 mm

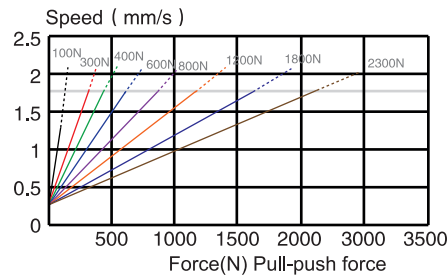
ANT-38 CURVE

Accuracy of speed or current :
±10%, in general, applications
in the dashed are not recommended.

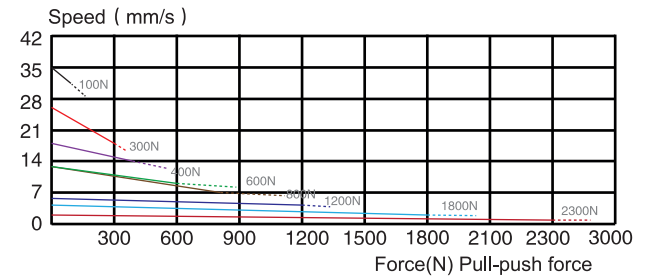
CURVE(Force/ current)



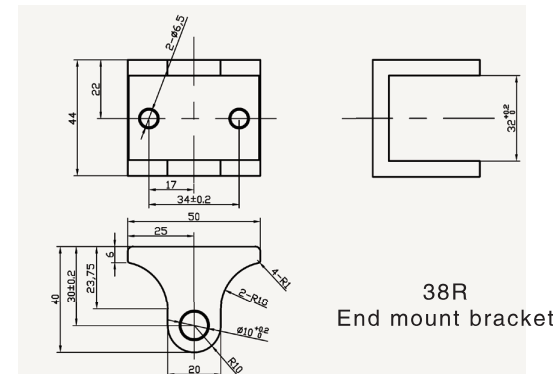
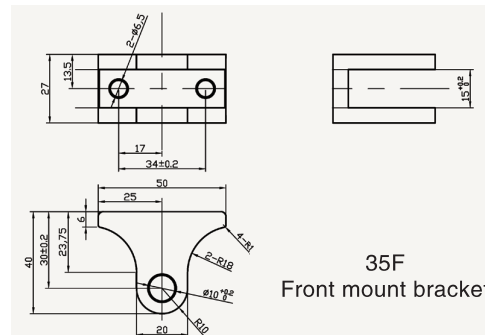
CURVE(Force/ current)



CURVE(Speed/force)



ANT-38 Mounting Bracket



ORDER KEY



① ANT - ② □ □ ③ □ - ④ □ - ⑤ □ □ - ⑥ □ □ □ □ - ⑦ □ □ - ⑧ □ □ □ / ⑨ □ □ □ - ⑩ □ - ⑪ □ - ⑫ □

- ① **Brand**: ANT=ANTUATOR
- ② **Diameter**: 16=16mm; 26=26mm; 35=35mm; 38=38mm; 45=45mm; 52=52mm
- ③ **Out tube material**: S=powder coated steel; AL=aluminum; S/S=stainless steel
- ④ **Options**: L=low noise, N=Normal
- ⑤ **Input voltage**: 12=12VDC; 24=24VDC
- ⑥ **Max Load**: XXXX=N (See Data Sheet 2)
- ⑦ **Load speed**: XX=mm/s (See Data Sheet 2)
- ⑧ **Stroke**: XXXmm (See Data Sheet 2)
- ⑨ **Min. Install dimension**: XXXmm (See Data Sheet 1)
- ⑩ **Color**: B=Black; S=Silver; C=Customized
- ⑪ **Optional functions**: C=over current protection; H=hall sensor; LS=limit switch; N=none
- ⑫ **Protection Class**: W=IP67M, N=IP66

Send this order form to info@techome.com.au or call us +61 (0)7 3297 9797