

**2019 Version 6
USER MANUAL**

TV Lifting System

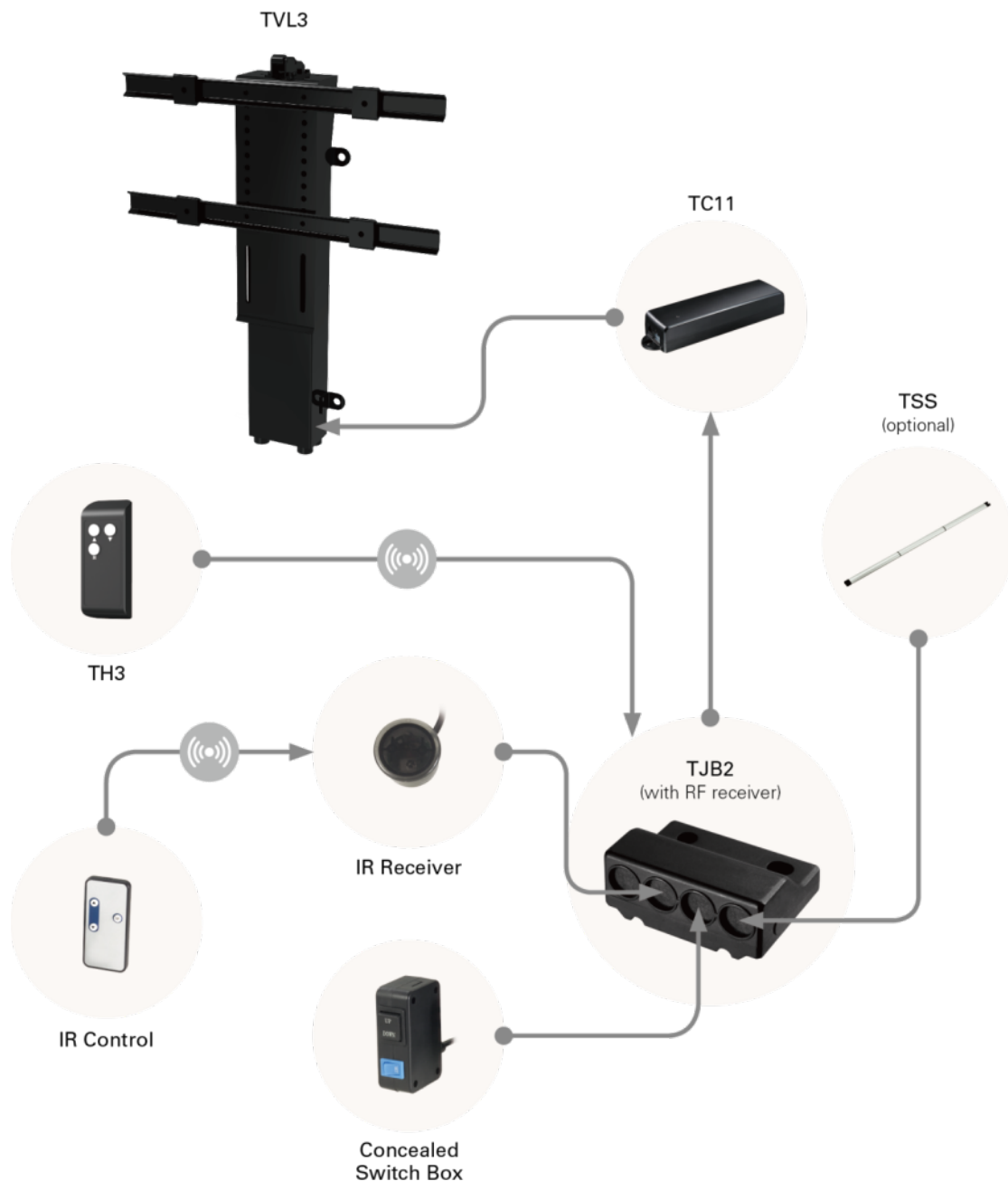
Contents

Contents	2
1. Overview	3
2. System Introduction	4
2.1 Package Contents	4
2.2 Appearance.....	5
2.3 Specifications.....	6
2.3.1 2D drawing of the TVL3 lifting column.....	6
2.4 Installation guide	11
2.5 Getting started	13
2.5.1 Concealed Switch Box : Setting the desired maximum height	13
2.5.1 IR Control: Setting the lift height.....	15
2.5.2 RF Control-TH3: Setting the lift height.....	16
2.5.3 Operation.....	19
2.6 Safety (for end users)	19

1. Overview

- ◆ Column: TVL3
- ◆ Control Box: TC11
- ◆ Controls: TH3 and IR Control
- ◆ Accessories: TJB2 Junction Box \ TSS Safety Switch (optional), and Concealed Switch Box

The TVL3 series columns are primarily designed for use as TV lifts, but can be used in other applications that require vertical movement using a remote control. Our steel constructed TVL3 is available in three sizes depending on the requirements of the application. An extended height position can be programmed using our remote control.



2. System Introduction

2.1 Package Contents

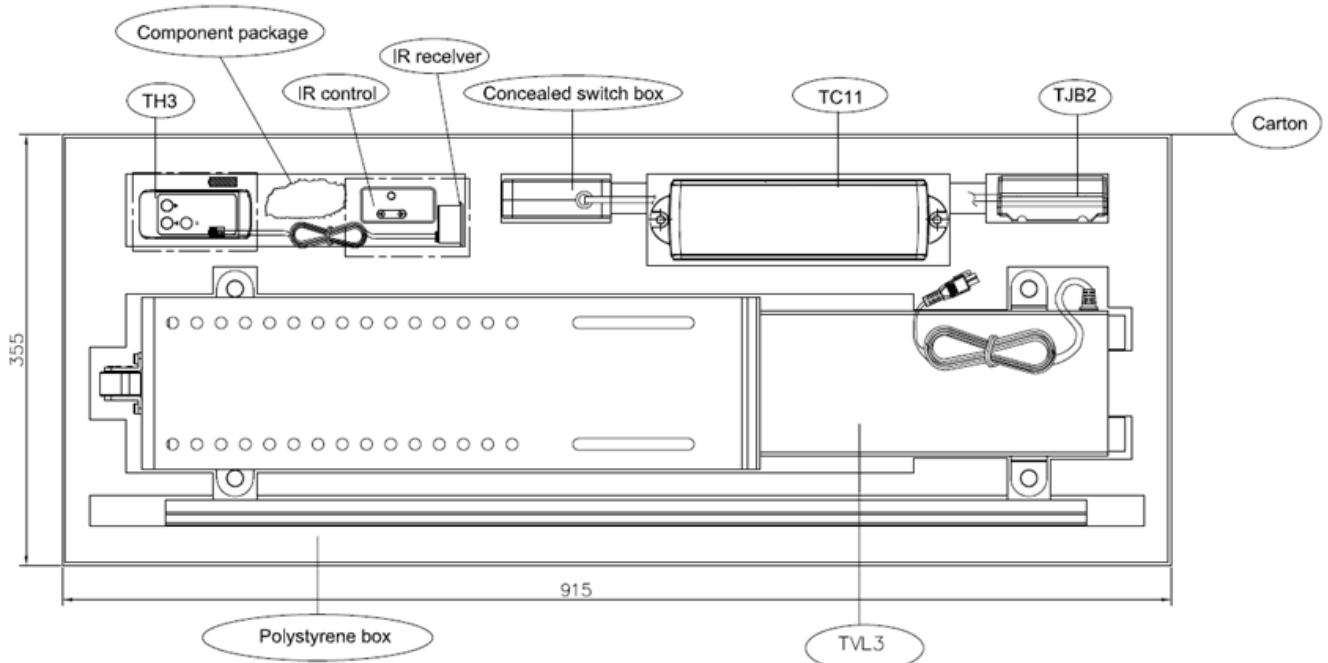


Chart A: List of the package content

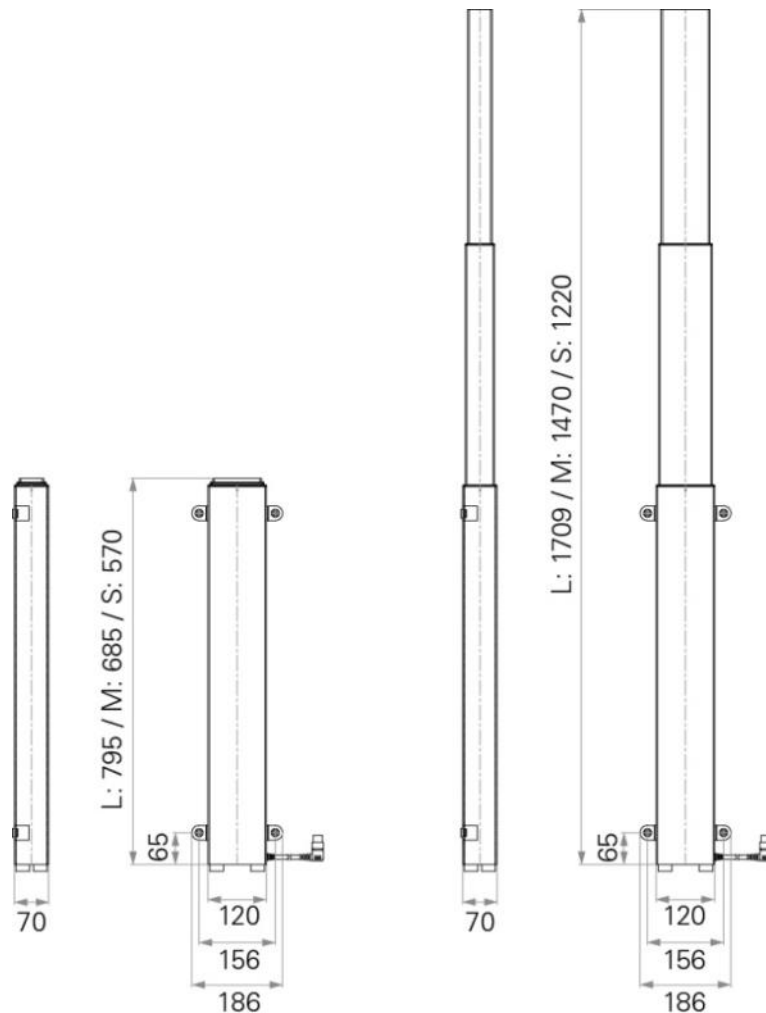
No.	Description	Model Name	Q'ty
1	Lift Column	TVL3	1 pc
2	Control Box	TC11	1 pc
3	Control	TH3	1 pc
4	Control	IR Control	1 pc
5	Accessory	TJB2	1 pc
6	Accessory	Concealed switch box	1 pc
7	Accessory	Power cord	1 pc
8	Accessory (optional)	TSS	
9	Component Package	Refer to the following chart for more details (page 9~10)	1 set

2.2 Appearance



2.3 Specifications

2.3.1 2D drawing of the TVL3 lifting column


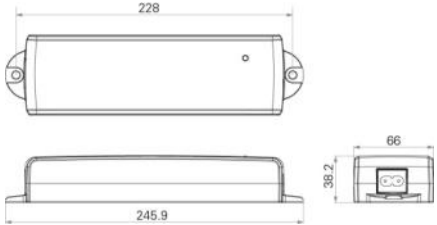

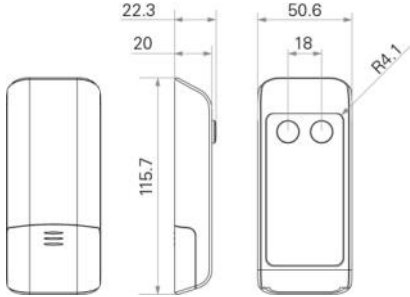

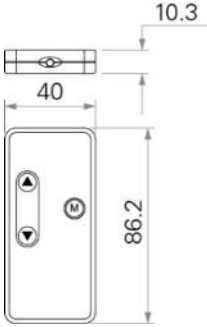
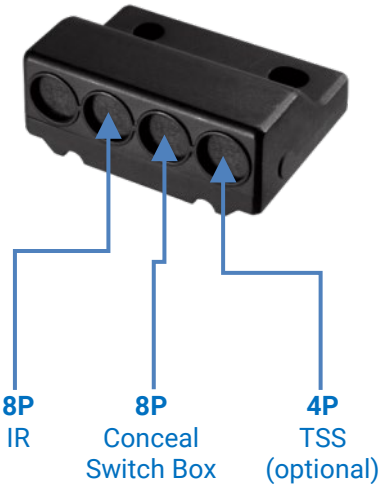
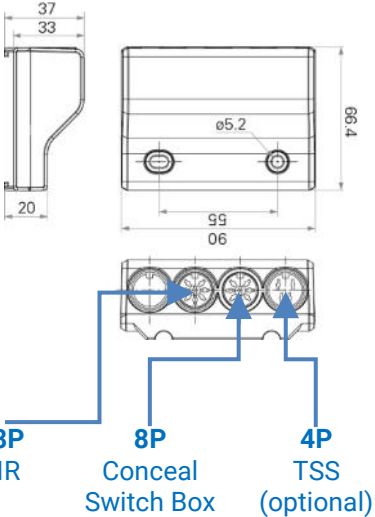



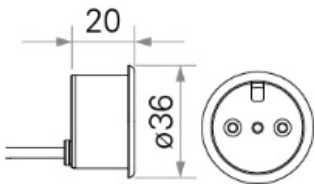

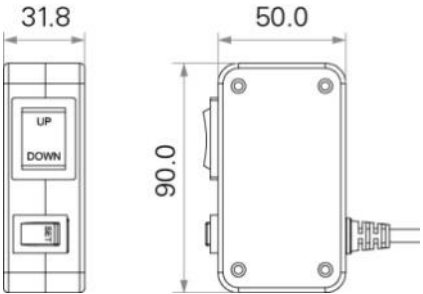

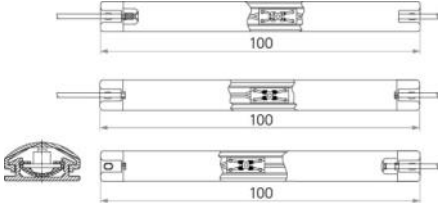
TVL3 Specifications

Size	Retracted Length (mm)	Stroke (mm)	Fixing Hole Distance (mm)	Max. Load (N)	Speed (mm/sec)	Recommended TV Size (inch) (Note)
Large	795	914	650	600	<ul style="list-style-type: none"> ◆ 35 mm/s at no load ◆ 20 mm/s at full load 	50"~70"
Medium	685	780	545			40"~55"
Small	570	650	430			32"~43"



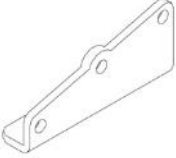
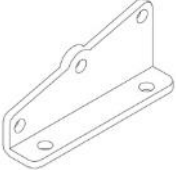



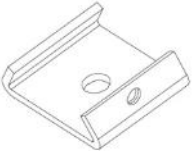
Note: It is based on the current primary plasma TV screen size.




Other components

<p>Control Box: TC11</p> <ul style="list-style-type: none"> ◆ 0.06W standby power consumption ◆ Memory functions for column height ◆ Soft stop function ◆ Over current protection 		
<p>Control: TH3</p> <ul style="list-style-type: none"> ◆ Maximum remote distance: 10~15m ◆ RF wireless control available 		
<p>Control: IR Control</p> <ul style="list-style-type: none"> ◆ Used to set the maximum height of the TVL3 ◆ Works with the IR receiver to control the TVL3 height 		
<p>Accessories: TJB2</p> <ul style="list-style-type: none"> ◆ Junction box ◆ Embedded with RF receiver 		

<p><u>Accessories: IR Receiver</u></p> <ul style="list-style-type: none"> ◆ Required for IR control 		
<p><u>Accessories: Conceal Switch Box</u></p> <ul style="list-style-type: none"> ◆ Used as a back-up control if the primary control runs out of battery ◆ Includes SET button for advanced settings. 		
<p><u>Accessories: TSS (Optional)</u></p> <ul style="list-style-type: none"> ◆ Safety Strip ◆ Recommended ordering size <p>(Note) Note: Please refer to the page 6 for the recommended TV size.</p>		

Component Package List

No.	Description	Drawing	Q'ty (pcs)
1	Wheel (Ø18* Ø8*20L)		3
2	Shaft (Ø8* Ø8*28L)		3
3	Shaft Holder		1
4	Shaft Holder		1
5	Screw (M5*8L)		4
6	Manual Screw (M5*10L)		1
7	Washer (M8)		8
8	Slider (40*14*3t)		4

9	Screw (M8*15L)		8
10	Handle		1
11	Screw (M6*24L)		4

2.4 Installation guide

Important information:

- ◆ Prior to installation onto the TVL3, remove the stand which is attached to your flat screen TV.
- ◆ Carefully measure all dimensions of the television before proceeding with the installation.

Step 1: Secure the TV

Lean the TV onto its edge, preferably against a soft surface to prevent scratches and or damage.

Step 2: Install the Mounting Plates (Fig. 1)

Find the 4 mounting holes on the back of your TV and then choose the 4 screws from the component package that work best for your TV. Install the included 4x TV mounting sliders (item 8) onto the back of the TV.

Step 3: Install the Mounting Brackets (Fig 2)

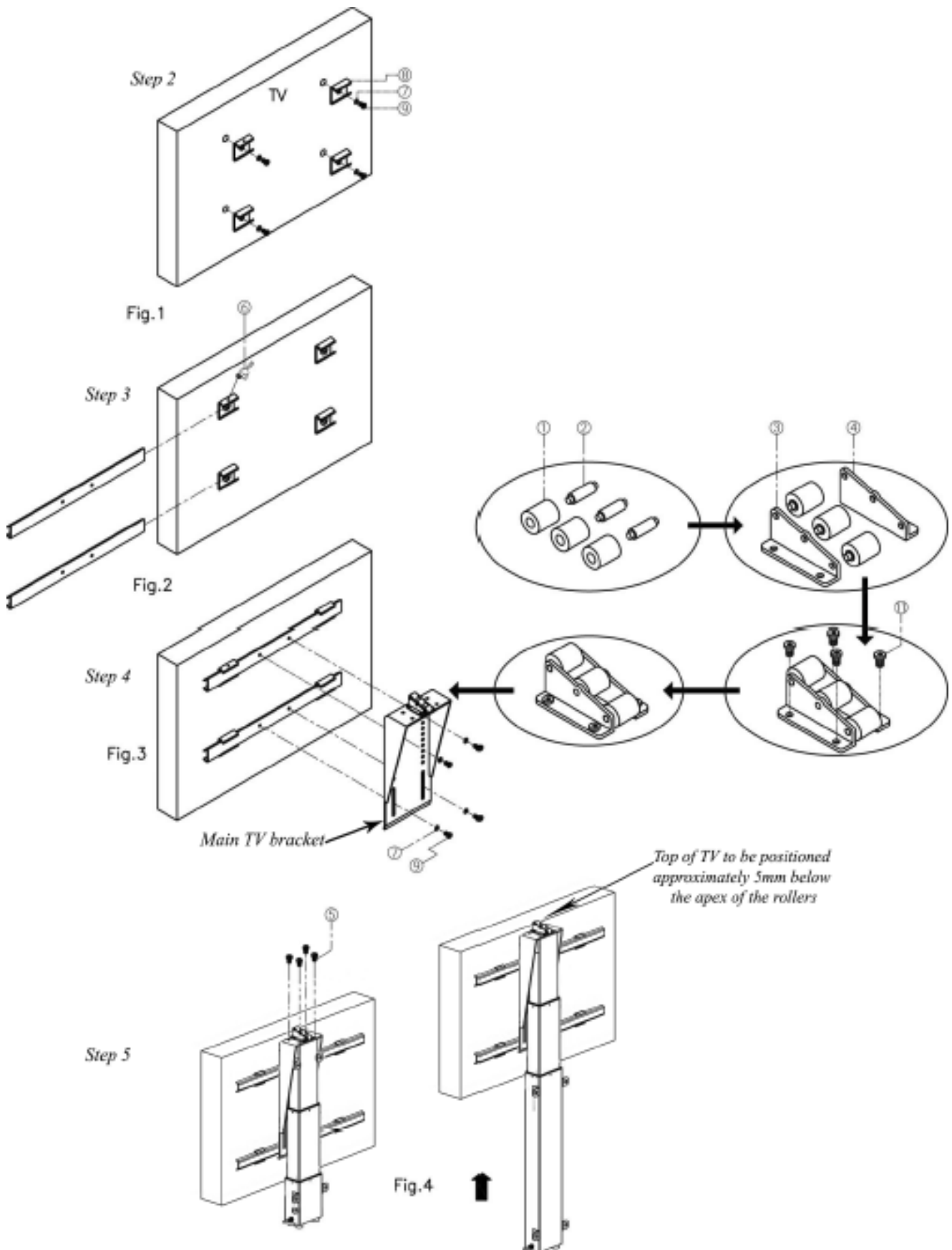
Fix the 4 TV mounting sliders (with TV attached) to the TV mounting bars by sliding onto the bars.

Step 4: Mount the TV to the TVL3 (Fig 3)

With the TV now attached to the 2 x horizontal bars, fit bars to main TV bracket using 4 M8 screws (item 9). Adjust the bars using the series of vertical holes to ensure the top of the TV is approximately 5mm below the apex of the 3 rollers.

Step 5: Mounting the TV on the Lift (Fig 4)

Fit the brackets (with the TV attached) using the 4 M6 screws (item 11) to the top of the main bracket and tighten the screws with handle (item 10)..



2.5 Getting started

2.5.1 Concealed Switch Box : Setting the desired maximum height

How to set the desired lift height

Press and hold the up or down button to the desired height, release the button, and then switch SET to the "ON" position. An audible tone will sound three times from the TC11 control box, which confirms the height has been memorized.

How to recall the desired lift height

After the desired height is memorized, when the SET switch is moved to the "ON" position and then immediately to the "OFF" position, the column will move to the memorized position automatically.

How to disable the desired lift height

Switch SET to the "ON" position until you hear the TC11 control box beep once. This tone confirms the desired lift height is disabled. Then, move the SET switch to the "OFF" position.



Note:

The SET button on the concealed switch box is a rocker switch. If you switch it to the right side, it means "ON"; the opposite (left) side meaning "OFF".

How to set the maximum desired lift height limit?

Press UP until the maximum desired height is reached; switch SET to "ON", and then press and hold the "UP" button for **3** seconds until you hear two audible beeps from the TC11 control box. Then, switch SET to "OFF" and the maximum desired height limit is saved to memory.

How to disable the maximum desired lift height limit?

Switch SET to "ON", then press and hold the UP button for **3** seconds until the TC11 control box beeps once. Switch SET to "OFF". Now, the height limit is disabled.



How to set the minimum desired height limit?

(Note)

Press UP/DOWN to the desired minimum height, release UP/DOWN, and switch SET to "ON". Then, press and hold the "DOWN" button for **3** seconds until the TC11 beeps twice. Switch SET to "OFF" to complete saving the minimum height to memory.

How to disable the memorized minimum height limit? (Note)

Press DOWN to the set minimum height, release DOWN, and then switch SET to "ON". Press and hold the "DOWN" button for 3 seconds until the TC11 beeps once. Switch SET to "OFF" to complete the process.

Note: This is primarily used when the TVL3 is installed within a TV cabinet.



2.5.2 IR Control: Setting the lift height

Press and hold the “▲” button on the IR Remote Control. The TVL3 will continuously travel upwards.

Press and hold the “▼” button on the IR Remote Control. The TVL3 will continuously travel downwards



How to set the memorized height

Once the desired height has been reached, press and hold the “M” button until the TC11 beeps **3** times. This confirms the desired height is saved to memory. Click “M” and the TVL3 will automatically travel to the memorized height.

How to disable the memorized height

Press and hold the “M” button until the buzzer on the TC11 beeps once.



2.5.3 RF Control-TH3: Setting the lift height

Pairing

1. Connect all leads as per page 3 (excluding the I/R remote)
2. Do NOT switch power on at this stage.
3. Remove the battery cover off the TH3 remote control.
4. Locate the "pairing" button.
5. Press and hold this pairing button and the Down button will flash rapidly for approx. 3 seconds.
6. The down button will then light constantly for approx. 6 seconds (window).
7. Switch the power on to the TC11 control box during this 6 second "window".
8. If pairing is successful the down button will flash frequently.
9. Release the pairing button.
10. The TH3 remote control will now communicate with the TC11 control box.
11. If pairing is not successful, repeat steps 4-9 above switching the TC11 power off for 1 minute before commencing the pairing process again.
12. Once paired, it will not be necessary to repeat this procedure.
13. The range of the TH3 will be approx. 10-15metres.

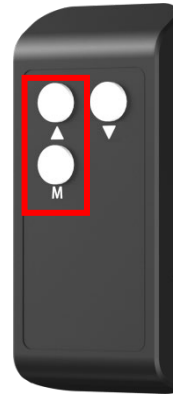


How to set the desired maximum height limit?

Press and hold the “▲” button on the RF Control-TH3, The TVL3 will travel upwards. Once the desired maximum height has been reached, press and hold the “M” and “▲” button until the TC11 beeps twice. Then release the buttons and the desired height is saved to memory.

How to disable the memorized maximum height limit?

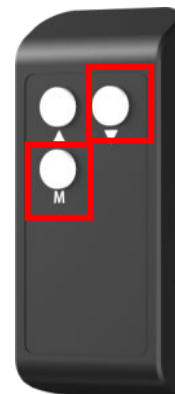
Press and hold the “▲” button to travel upwards to the desired maximum height. Then press and hold the “M” and “▲” buttons until the TC11 beeps once.

**How to set the desired minimum height limit?**

Press and hold the “▲/▼” button on the RF Control-TH3 to adjust TVL3. Once the desired minimum height has been reached, press and hold the “M” and “▼” buttons until the TC11 beeps twice. Then release the buttons and the desired minimum height is saved to memory.

How to disable the memorized minimum height limit?

Press and hold the “▼” button travel downwards to the desired minimum height. Then press and hold the “M” and “▼” buttons until the TC11 beeps once.

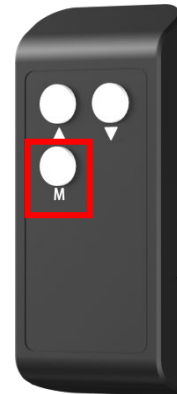


How to set the memorized height

Once the desired height has been reached, press and hold the “M” button until the TC11 beeps 3 times. This confirms the memorized height is now saved to memory. Click “M” and the TVL3 will automatically travel to the memorized height.

How to disable the memorized height

To disable the memorized height, press and hold the “M” button until the TC11 beeps once.



2.5.4 Operation

Once the memorized height of the TVL3 column is set, users can use either the control-TH3 or IR Control to control movement of the lifting system.

- (1) Press and hold the ▲ symbol to move the column upwards.
- (2) Press and hold the ▼ symbol to move the column downwards.
- (3) Release the button at any time to stop the column's movement.
- (4) The Concealed Switch Box serves as a back-up control if both the TH3 and IR Controls are out of battery.

2.6 Safety (for end users)

- (1) Please adhere to the proper installation procedure as detailed in the installation instructions.
- (2) Safety precaution measures must be practiced at all times during installation of this product.
- (3) The entire installation instructions should be fully read and understood before beginning installation.
- (4) At least two people should be available to mount the TV on the lift mechanism. Please take care when handling your flat screen TV as injury and damage can result from dropping or mishandling of the TV.
- (5) TV's should remain upright at all times. Never place screen face down on the floor. This could cause damage to the TV.
- (6) The stand on your flat screen TV is removable. Please remove the stand prior to installing the TV on the lift mechanism. Consult your TV's owner's manual for instructions for removing the stand.
- (7) Carefully measure all dimensions of your LCD, PLASMA, or LED TV before proceeding. Then consult the Specification section of this manual for maximum acceptable TV size.
- (8) The TV Lift Mechanism contains moving parts. Please keep hands, arms, and fingers away from the lift and cabinet lid opening when the lift is in motion. Cables should be wire-tied or secured neatly so the lift does not contact them during operation.
- (9) About the TSS Safety Strip accessory

The TSS safety strip is an optional accessory which can be installed onto the bottom of the TV. To avoid the risk of personal injury, the TSS will stop the lift column once the strip is pressed.